

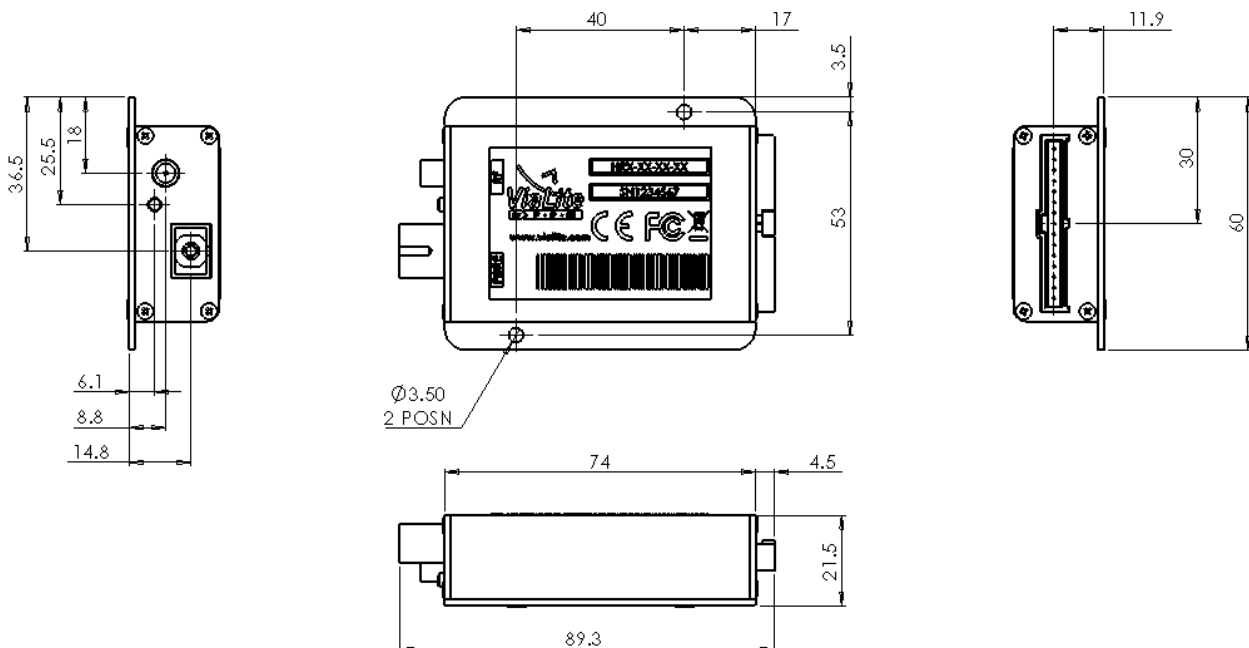
RF over Fiber Link

- **Single TX or RX**
- **External PSU**
- **Dustproof**
- **89 x 46 x 20 mm**
- **All ViaLiteHD RF bands available**
- **Support modules also available**

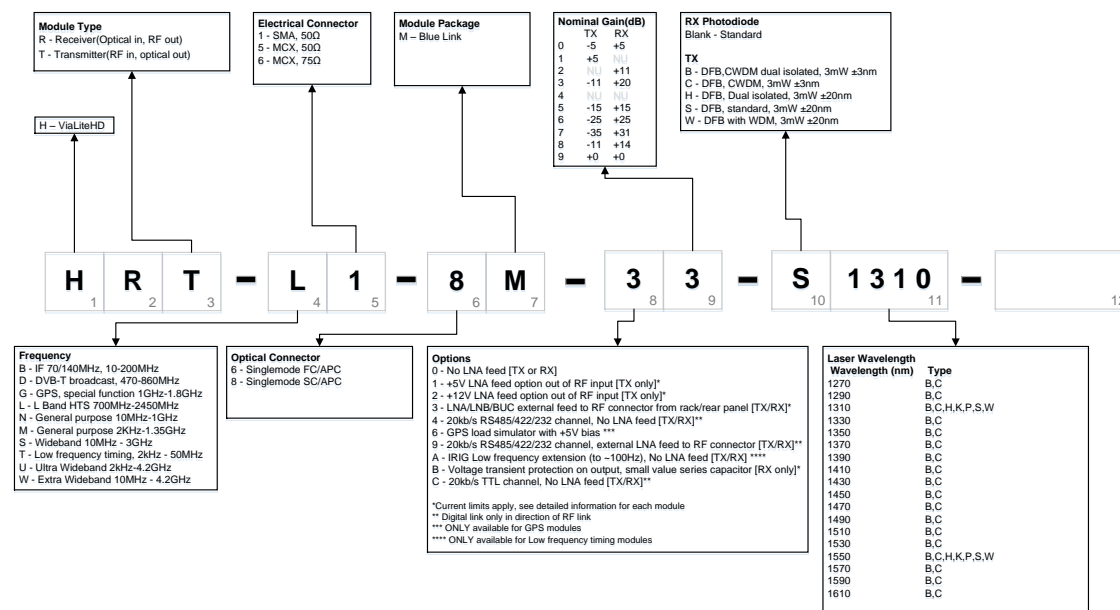


The **Blue OEM Link** is a small, dustproof RF over fiber module available in all **ViaLiteHD** RF bands and can be supplied in transmitter or receiver formats. The link is available with either SC or FC optical connectors and either SMA or MCX RF connectors. The 15 pin Molex single row connector provides connections for serial data transmission (RS232, RS485 & TTL), TX or RX alarms, I2C setup using the **ViaLiteHD Programming Kit (HRx-HD-DEV103)** and for connecting an external power supply (optional HPS-CS-3).

Mechanical Dimensions (mm)



Product configurator



Popular products

- HRT-L1-8M-33-S1310 – Blue OEM Link L-Band (700-2450MHz) Transmitter with 50 ohm SMA and SC/APC connectors
- HRT-G1-6M-63 – Blue OEM Link GPS Transmitter, 50 ohm SMA and FC/APC connectors
- HRR-L1-8M-05 – Blue OEM Link L-Band (700-2450MHz) Receiver with 50 ohm SMA and SC/APC connectors

Parameters

	BLUE OEM LINK
Dimensions	With mounting bracket fitted 89 x 60 x 21mm Without mounting bracket fitted 89 x 46 x 20 mm
Weight	With mounting bracket fitted:- 130g typical Without mounting bracket fitted:- 112g typical
Operating temperature	-10°C to +50°C
Humidity	0-95% non-condensing
Cooling	Convection
Power consumption	Transmitter – 1.9W Receiver – 1.3W
DC Input voltage	11 to 13V, 12V nominal
Connector	15 pin header (male) Molex (C-Grid III), single row (Power, Serial Data, Alarms & I2C programming)
Power supply compatibility	HPS-CS-3
RF module Types	Transmitter or receiver IF (B), DVB-T (D), GPS (G), L-Band HTS (L), General purpose (N&M), Wideband (S), Low Frequency Timing Link (T), Ultra-wideband (U&W)