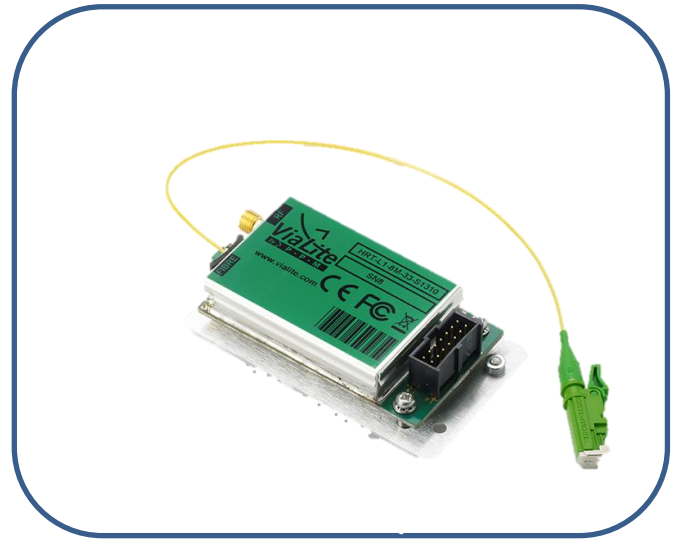


ViaLiteHD® – Green OEM Link

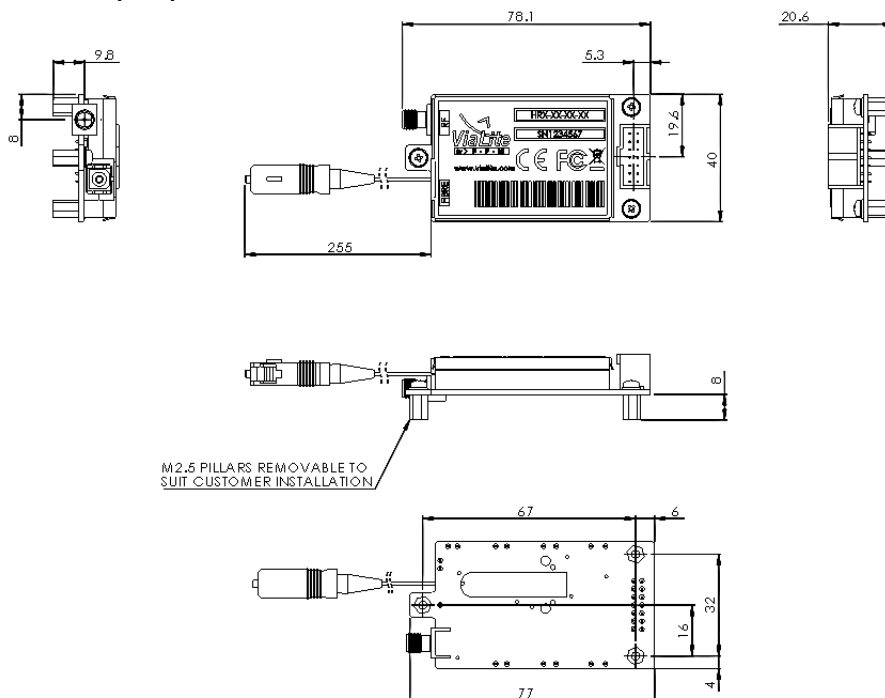
RF over Fiber Link

- **Single Tx or Rx**
- **100 to 1000MHz**
- **Plug-in replacement for ViaLite Classic**
- **<1W (low power consumption)**
- **87 x 46 x 19.6 mm with mounting plate**
- **For Wireless Cameras or Microphones**

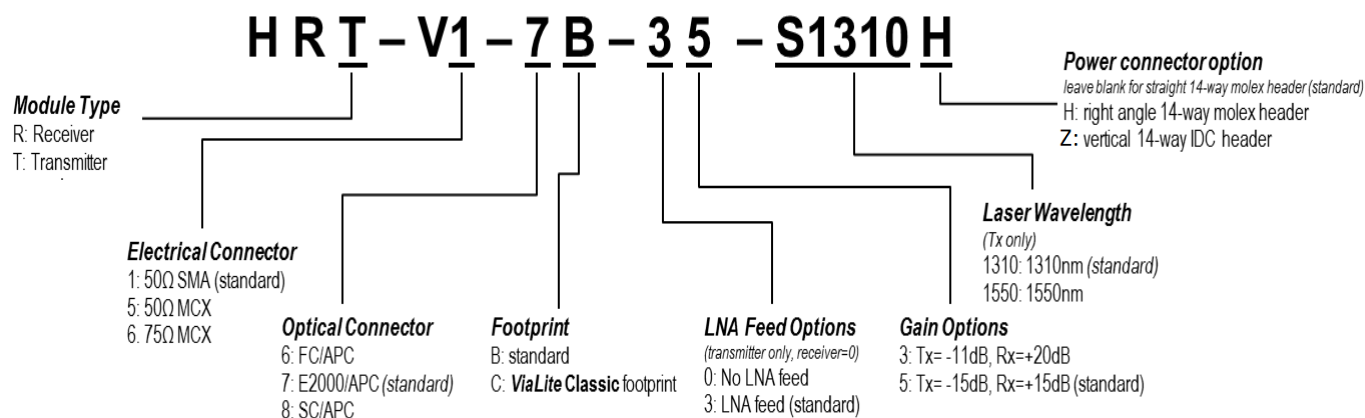


The **Green OEM Link** is a small RF over fiber OEM module, which is a plug-in replacement for the **ViaLite Classic** OEM and is available to cover **ViaLite** broadcast bands. The Green OEM Link can be supplied in transmitter or receiver formats and is typically integrated into customer equipment. The link is available with either an SC, FC or E2000 optical connector and either an SMA or MCX RF connector. The 14-pin Molex header connector provides connection for Tx or Rx alarms and for connecting a power supply.

Mechanical Dimensions (mm)



Product Configurator



Popular products

HRT-V1-8B-33-S1310 – Green OEM Transmitter (100-1000MHz) with 50 ohm SMA and SC/APC connector

HRT-V1-6C-33-S1550 – Green OEM Transmitter (100-1000MHz) with 50 ohm SMA, FC/APC connector and Classic adaptor plate

HRR-V1-7C-05 – Green OEM Receiver (100-1000MHz) with 50 ohm SMA, E2000APC connectors and Classic adaptor plate

Parameters

	GREEN OEM LINK
Dimensions	With Classic adaptor plate: 87 x 46 x 19.6mm With no adaptor plate: 77 x 40 x 15.6mm With stand-offs and no adaptor plate: 77 x 40 x 20.6mm
Weight	Transmitter: 60g Receiver: 55g
Standard Operating temperature	-10°C to +50°C
Extended temperature range	-30°C to +60°C (-2dB link gain for temperatures outside of standard)
Humidity	0-95% non-condensing
Cooling	Convection
Power consumption	Transmitter: 1.1W Receiver: 0.8W
DC Input voltage	11 to 13V, 12V nominal
Connector	14-pin Molex header connector (Power & Alarms)
RF module Types	Transmitter or Receiver Broadcast Band (V) (100-1000MHz)