

ViaLiteHD[®] – Blue2 Link, 15 Way

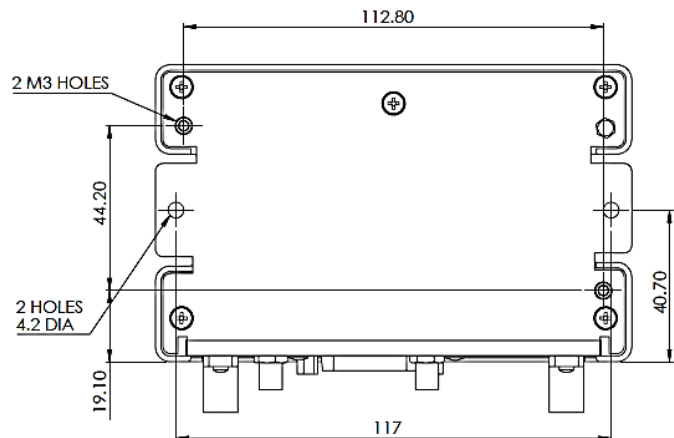
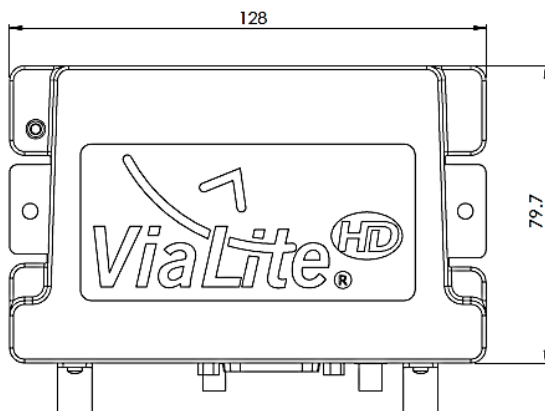
RF over Fiber Link

- **Dual Tx, Rx or Transceiver**
- **External PSU**
- **Dustproof enclosure**
- **Internal WDM option**
- **128 x 80 x 36 mm**
- **RF and Serial Digital options available**
- **Supports 0-10 km and 50 km**
- **5-year warranty**

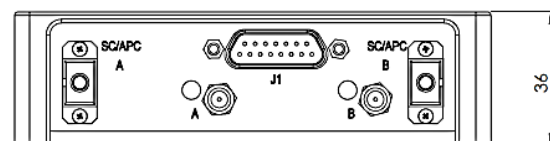


The Blue2 Link is a small, dustproof RF over fibre module available in all **ViaLiteHD** RF bands and can be supplied in the dual transmitter (Tx), dual receiver (Rx) or transceiver formats. The module is available with two optical inputs/outputs or single optical input/output if the integral WDM module option is selected. The 15-way D-type connector provides a connection for serial data transmission (RS232, RS485 & TTL), Tx or Rx alarms, I2C setup using the **ViaLiteHD** Programming Kit (HRx-HD-DEV103) via Y-cable 73940, and the external power supply (optional HPS-CS-4).

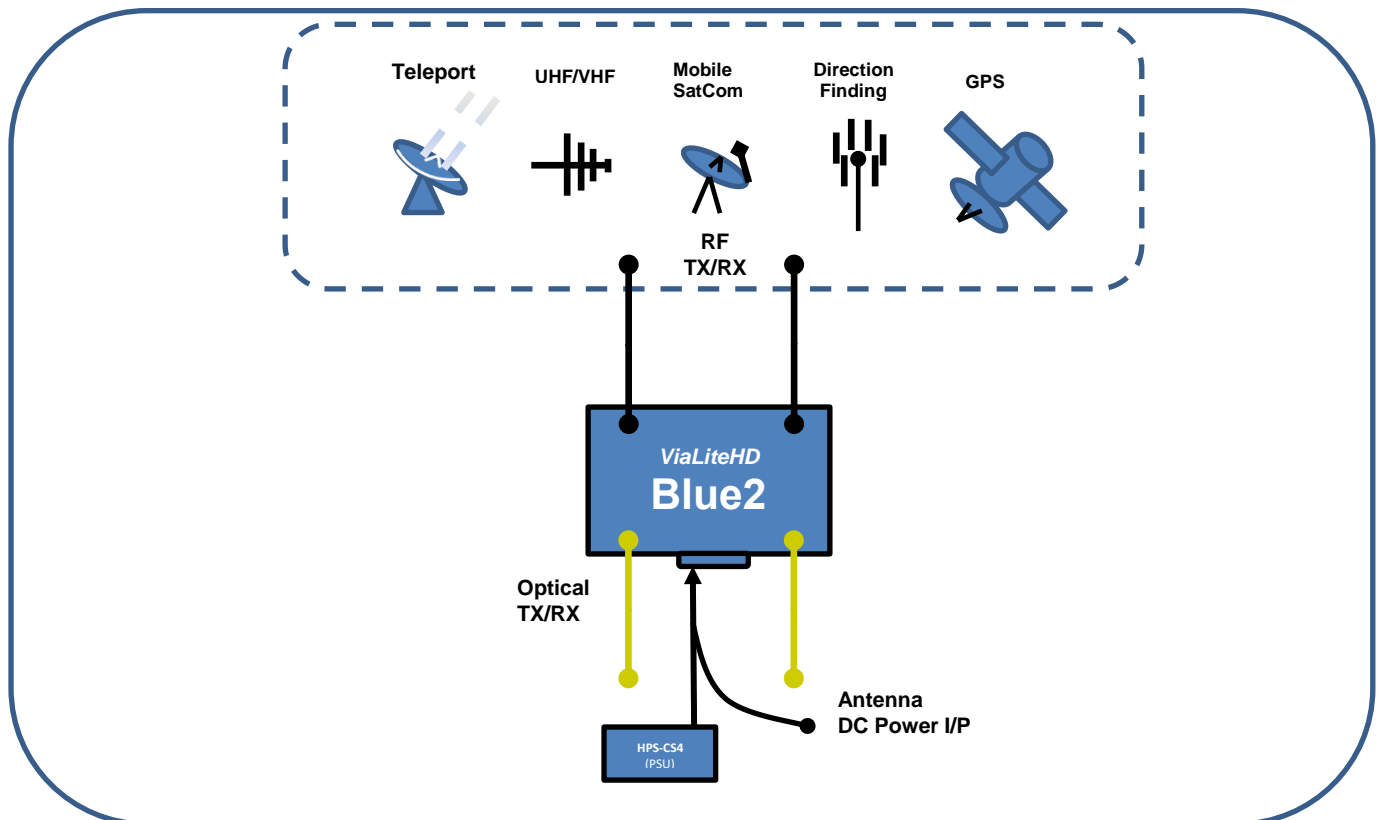
Mechanical Dimensions (mm)



VIEW ON UNDERSIDE



Deployment example



Popular products

HRX-L1-8P-33-S1310 - L-Band HTS (700-2450MHz) Transceiver with 50 ohm SMA and SC/APC connectors

HRU-G1-8P-10-S1310 - GPS Dual Transmitter, 50 ohm SMA, internal antenna PSU and SC/APC connectors

HRU-LM-8P-35-W1310-1550 - L-Band HTS (700-2450MHz) Dual Transmitter with WDM, 75 ohm micro BNC and SC/APC connectors

HRV-LM-8P-03 - L-Band HTS (700-2450MHz) Dual Receiver with 75 ohm micro BNC and SC/APC connectors

Parameters

	Blue2 Link
Dimensions	128 x 80 x 36 mm
Weight	200g typical
Operating temperature	-10°C to +50°C
Humidity	0-95% non-condensing
Cooling	Convection
Power consumption	Transceiver: 3.2 W Dual transmitter: 3.8 W Dual receiver: 2.6 W
DC Input voltage	11 to 13 V, 12 V nominal
Connector	15-way male D-type with screw-lock termination on backplane (Power, Serial Data, Alarms & I2C programming)
Power supply compatibility	HPS-CS-4 or external 12VDC source
RF module Types	2x Transmitter, 2x Receiver or 1x Transmitter & 1x Receiver (Transceiver), or with a single Transmitter or Receiver and a serial digital TX/RX link IF (B), DVB-T (D), GPS (G), L-Band HTS (L), General purpose (N&M), Low-Frequency Timing Link (T) and Serial digital links