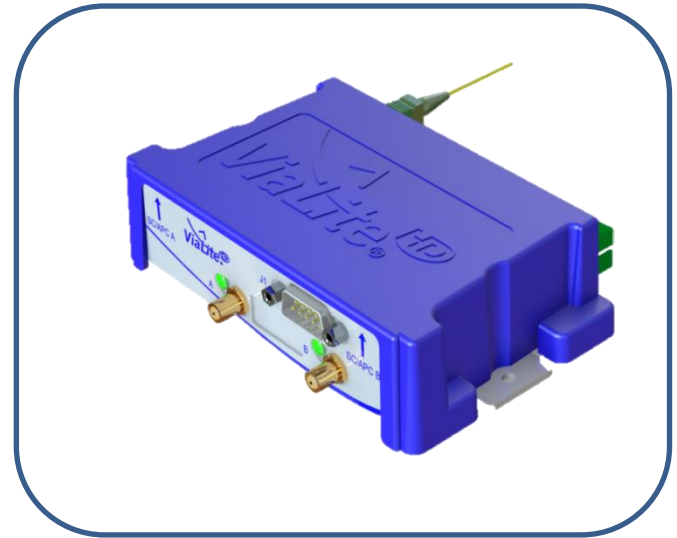


ViaLiteHD® - Blue2 Link, 9 Way

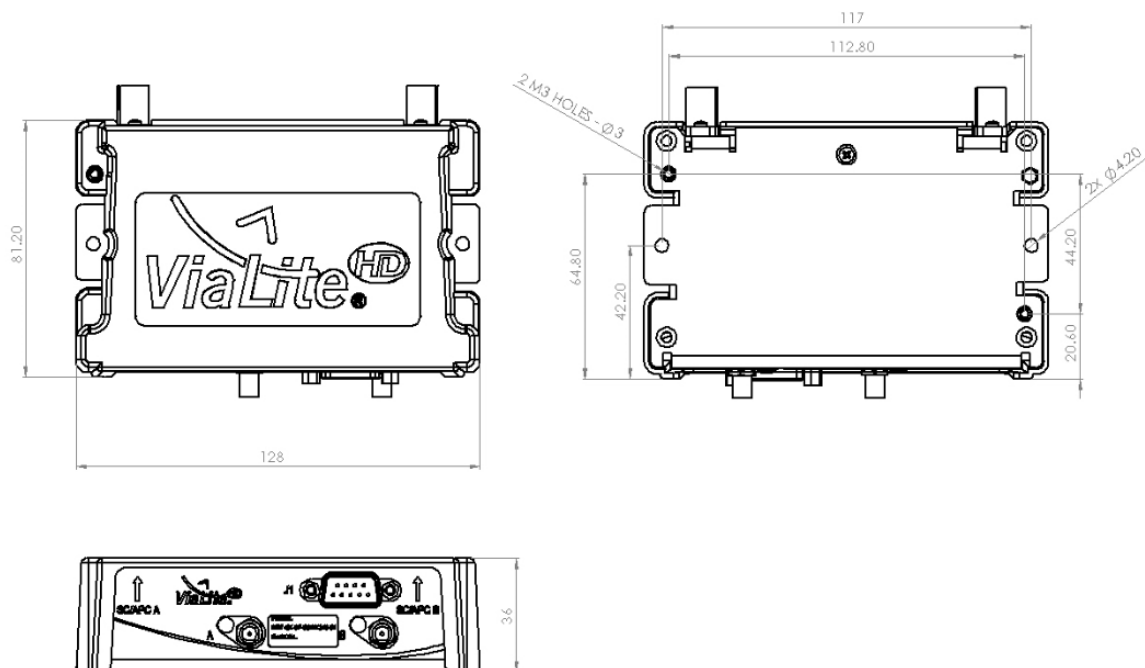
RF over Fiber Link

- **Dual Tx, Rx or Transceiver**
- **External PSU**
- **Dustproof enclosure**
- **Internal WDM option**
- **128 x 80 x 36 mm**
- **Supports 0-10 km and 50 km**
- **5-year warranty**

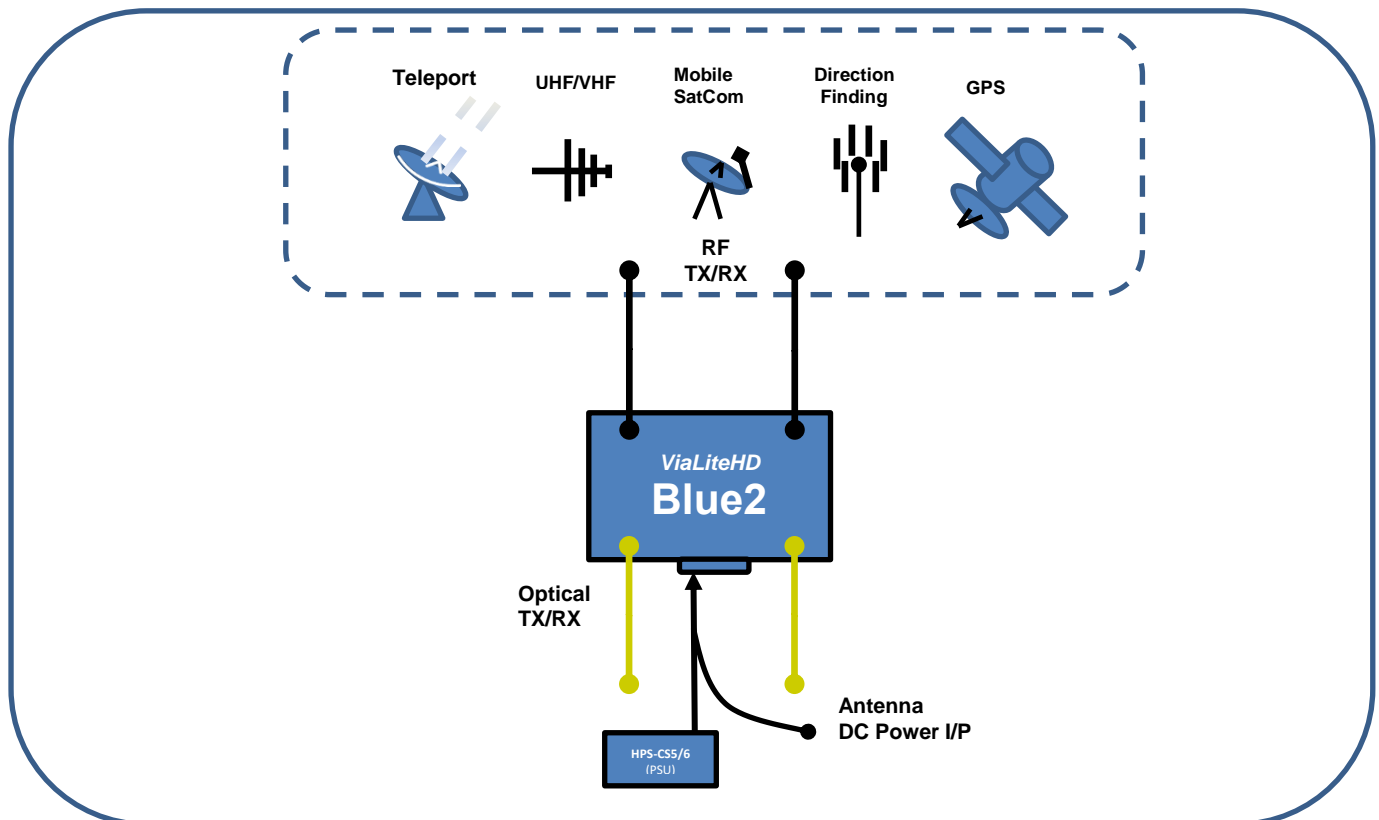


The Blue2 Link is a small, dustproof RF over fiber module available in all **ViaLiteHD** RF bands and can be supplied in dual transmitter (Tx), dual receiver (Rx) or transceiver formats. The module is available with two optical inputs/outputs or single optical input/output if the integral WDM module option is selected. The 9-way D-type connector provides connection for Tx or Rx alarms and the external power supply (optional HPS-CS-5 or -6).

Mechanical Dimensions (mm)



Deployment example



Popular products

HRX-L1-8Q-33-S1310 - L-Band HTS (700-2450 MHz) Transceiver with 50 ohm SMA and SC/APC connectors
 HRU-G1-8Q-10-S1310 - GPS Dual Transmitter, 50 ohm SMA, internal antenna PSU and SC/APC connectors
 HRU-L3-8Z-35-W1310-1550 - L-Band HTS (700-2450 MHz) Dual Transmitter with WDM, 75 ohm F-type and SC/APC connectors
 HRV-L3-8Z-03 - L-Band HTS (700-2450 MHz) Dual Receiver with 75 ohm F-type and SC/APC connectors

Parameters

	Blue2 Link
Dimensions	128 x 80 x 36 mm
Weight	200g typical
Operating temperature	-10 °C to +50 °C
Humidity	0-95 % non-condensing
Cooling	Convection
Power consumption	Transceiver: 3.2 W Dual transmitter: 3.8 W Dual receiver: 2.6 W
DC Input voltage	11 to 13 V, 12 V nominal
Connector	9-way male D-type with screw-lock termination on back plane (Power &, Alarms)
Power supply compatibility	HPS-CS-5 (for Q) HPS-CS-6 (for Z) or external 12 VDC source
RF module Types	2 x Transmitter, 2 x Receiver or 1 x Transmitter & 1 x Receiver (Transceiver), or with a single Transmitter or Receiver and a serial digital TX/RX link IF (B), DVb-T (D), GPS (G), L-Band HTS (L), General purpose (N&M), Low Frequency Timing Link (T)