

## ViaLiteHD® – Blue OEM Power Supply

### HPS-CS-x PSU for Blue OEM Modules

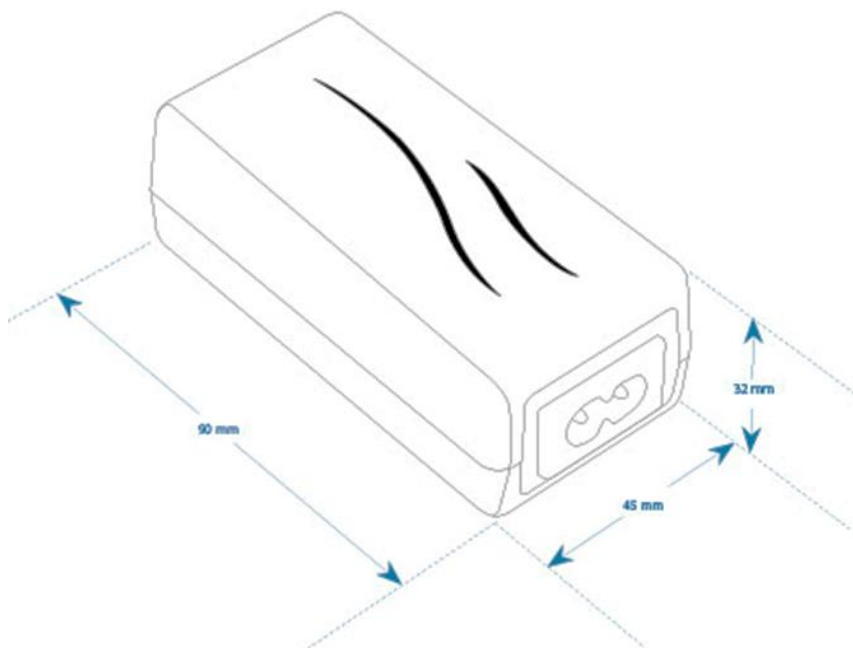
- Used with Blue OEM & Blue2 Links
- Indoor use only
- Optional power lead
- 90 x 45 x 32 mm
- 90-264 VAC input
- 12 VDC output



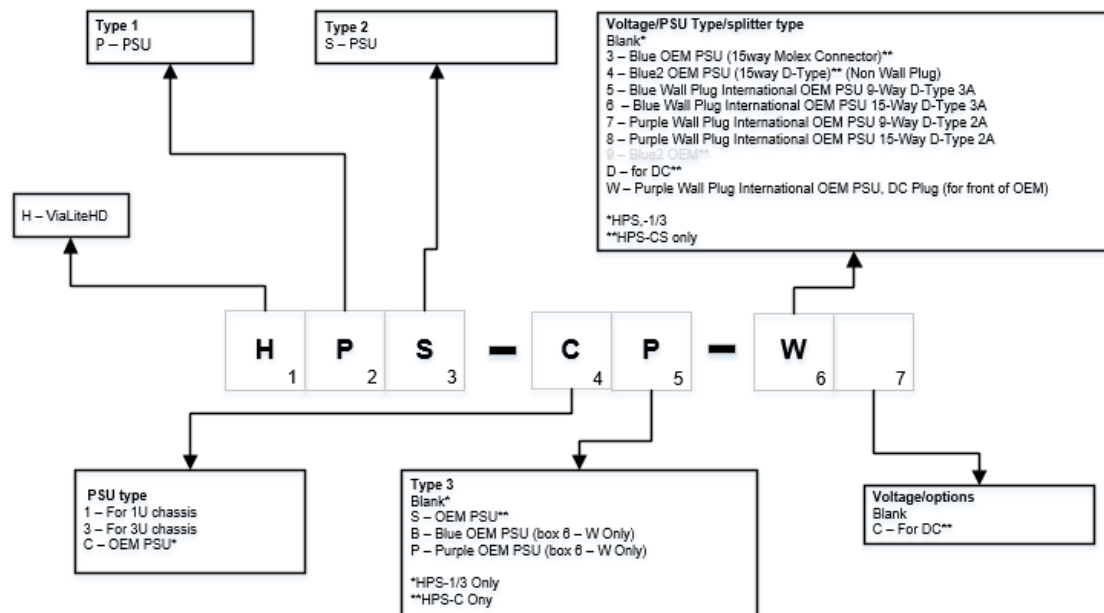
The HPS-CS-x range of power supplies are available for the Blue OEM and Blue2 Link and are supplied with a mains input cable suitable for the country the units are deployed in. There are four models of the HPS-CS depending on the product they are supplied with. These are shown in the table below.

| Model Number | DC connector type                           | Used With               |
|--------------|---|-------------------------|
| HPS-CS-3     | 15-pin Molex (C-Grid III) socket single row | All Blue OEM Models     |
| HPS-CS-4     | 15-way d-type socket                        | Blue2 HRx-xx-xP-xx-xxxx |
| HPS-CS-5     | 9-way D-type socket (type 1)                | Blue2 HRx-xx-xQ-xx-xxxx |
| HPS-CS-6     | 9-way D-type socket (type 2)                | Blue2 HRx-xx-xZ-xx-xxxx |

### Mechanical dimensions (mm)



## Product configurator



## Technical specification

|                       | ViaLite OEM PSU (HPS-CS-X)                                       |
|-----------------------|--|
| Input voltage         | 90-264 VAC   |
| Weight                | 115 g typical  |
| PSU Dimensions        | 90 x 42 x 35 mm  |
| DC Cable              | 180 cm typical   |
| AC Cable              | 200 cm typical   |
| Operating temperature | -20 °C to +60 °C (power derating of 0.38 W/°C over 40 °C)        |
| Output voltage        | 12 VDC +/- 10%   |
| Max Output Power      | 16 W   |
| Ripple                | <100 mV p-p  |
| Efficiency            | 83% typical  |
| Input connector       | IEC-320 2Pin   |
| Safety                | EN60950, UL/EN 60601-1   |
| Emissions             | EN61000-6-3  |
| Immunity              | EN61000-6-1  |
| Input Cable           | Supplied with UK, European or US cable depending on requirements |