

ViaLiteHD[®] – Blue2 Link, 15 Way

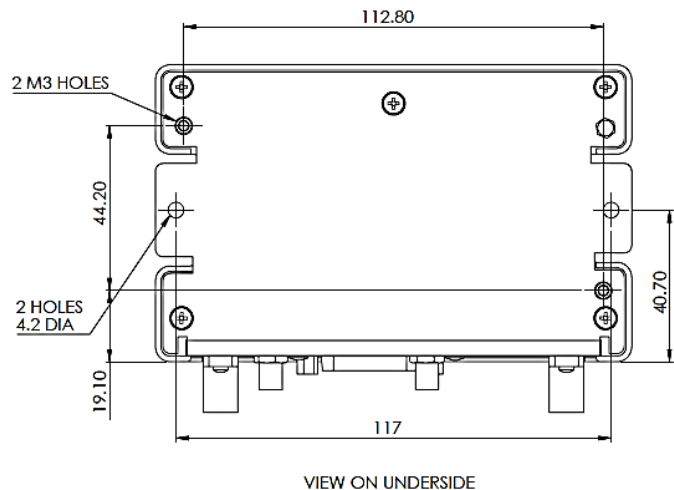
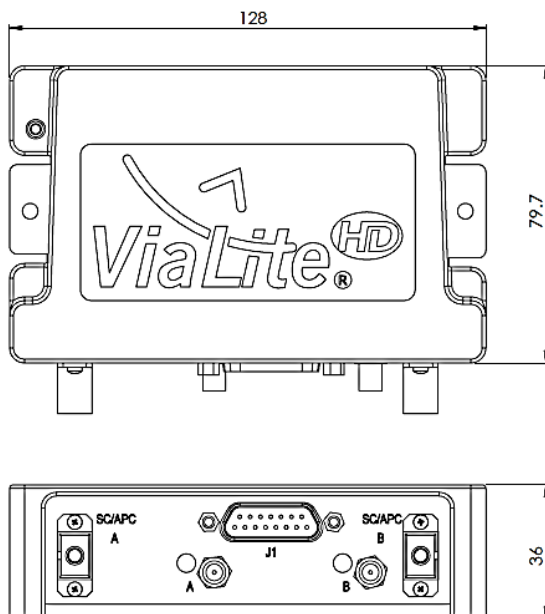
RF over Fiber Link

- Dual Tx, Rx or Transceiver
- External PSU
- Dustproof enclosure
- Internal WDM option
- 128 x 80 x 36 mm
- RF and Serial Digital options available
- Supports 0-10 km and 50 km
- 5-year warranty

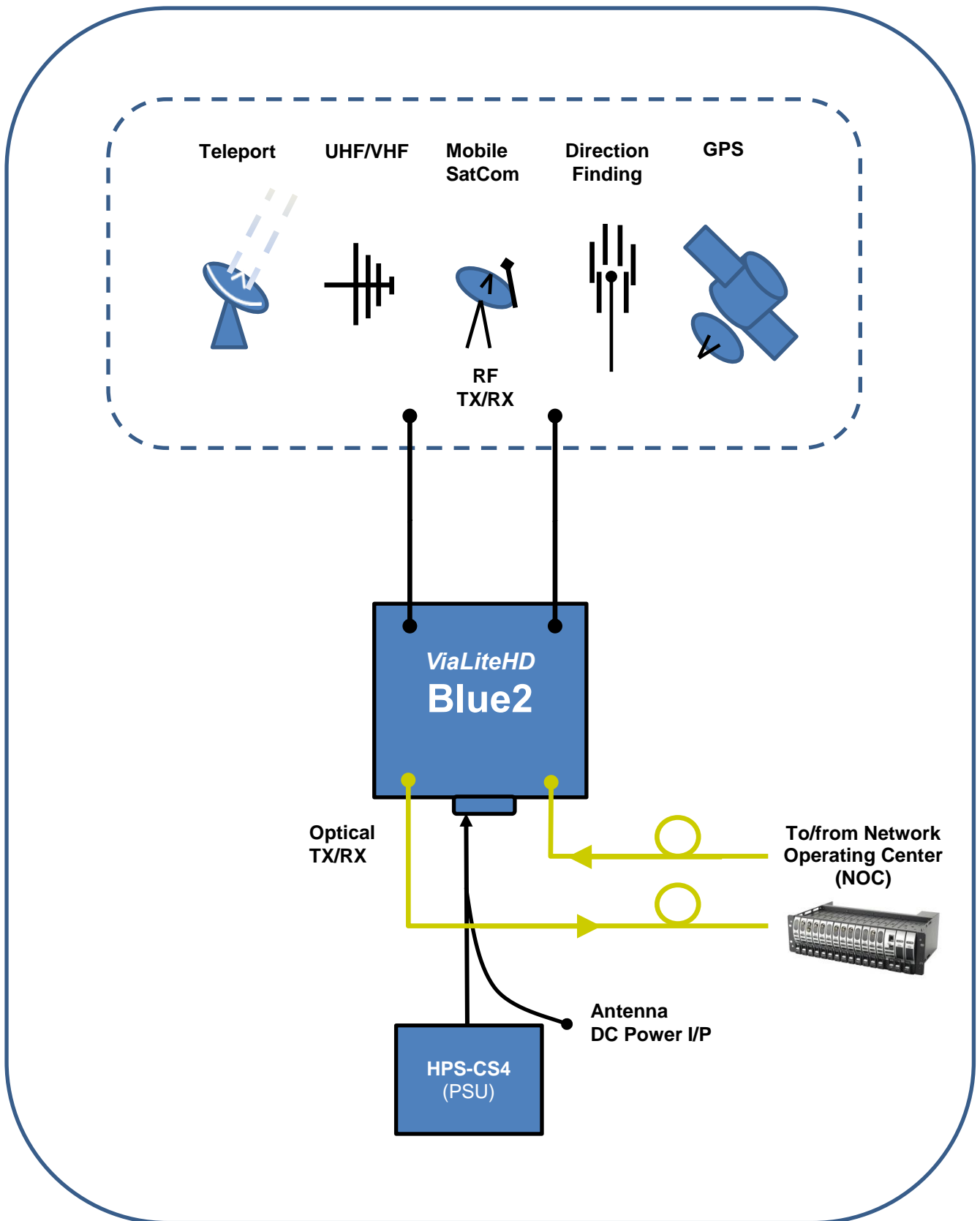


The Blue2 Link is a small, dustproof RF over fibre module available in all **ViaLiteHD** RF bands and can be supplied in the dual transmitter (Tx), dual receiver (Rx) or transceiver formats. The module is available with two optical inputs/outputs or single optical input/output if the integral WDM module option is selected. The 15-way D-type connector provides a connection for serial data transmission (RS232, RS485 & TTL), Tx or Rx alarms, I2C setup using the **ViaLiteHD** Programming Kit (HRx-HD-DEV103) via Y-cable 73940, and the external power supply (optional HPS-CS-4).

Mechanical Dimensions (mm)



Deployment example



Parameters

	Blue2 Link
Dimensions	128 x 80 x 36 mm
Weight	200 g typical
Operating temperature	-20 °C to +60 °C
Humidity	0-95% non-condensing
Cooling	Convection
Power consumption	Transceiver: 3.2 W Dual transmitter: 3.8 W Dual receiver: 2.6 W
DC Input voltage	11 to 13 V, 12 V nominal
Connector	15-way male D-type with screw-lock termination on backplane (Power, Serial Data, Alarms & I2C programming)
Power supply compatibility	HPS-CS-4 or external 12 VDC source
RF module Types	2x Transmitter, 2x Receiver or 1x Transmitter & 1x Receiver (Transceiver), or with a single Transmitter or Receiver and a serial digital TX/RX link IF (B), DVB-T (D), GPS (G), L-Band HTS (L), General purpose (N&M), Low-Frequency Timing Link (T) and Serial digital links

Popular products

HRU-N1-8P-35-S1310-1310

Dual Transmitter, VHF/UHF 10 MHz-1 GHz, 50 Ohm SMA, Singlemode SC/APC Connectors, Wavelength 1310 nm

HRV-N1-8P-05

Dual Receiver, VHF/UHF 10 MHz-1 GHz, 50 Ohm SMA, Singlemode SC/APC Connectors



HRU-L1-8P-35-S1310-1310

Dual Transmitter, L-Band HTS 700-2450 MHz, 50 Ohm SMA, Singlemode SC/APC Connectors, Wavelength 1310 nm

HRV-L1-8P-03

Dual Receiver L-Band HTS 700-2450 MHz, 50 Ohm SMA, Singlemode SC/APC Connectors

Accessories

Type	Key Features
<p data-bbox="150 360 416 387">HPS-CS-4/5 Power Supply</p> 	<ul data-bbox="772 405 1433 546" style="list-style-type: none"> • 12 VDC output up to 3 A max • Positive polarity center • Supplied with UK, European, USA and Australian pins as standard • Full international safety approvals
<p data-bbox="150 775 432 801">Blue2 Link Connection Kits</p> 	<ul data-bbox="772 819 1422 949" style="list-style-type: none"> • 50 ohm & 75 ohm • 75 Ohm Micro BNC to Standard BNC adaptor • Y-cable for injection of power and data (15-way D-types) • SC/APC to ST/PC adaptor cables 0.25 m