

## ViaLiteHD® – Black OEM Link

### RF over Fiber Black OEM Module

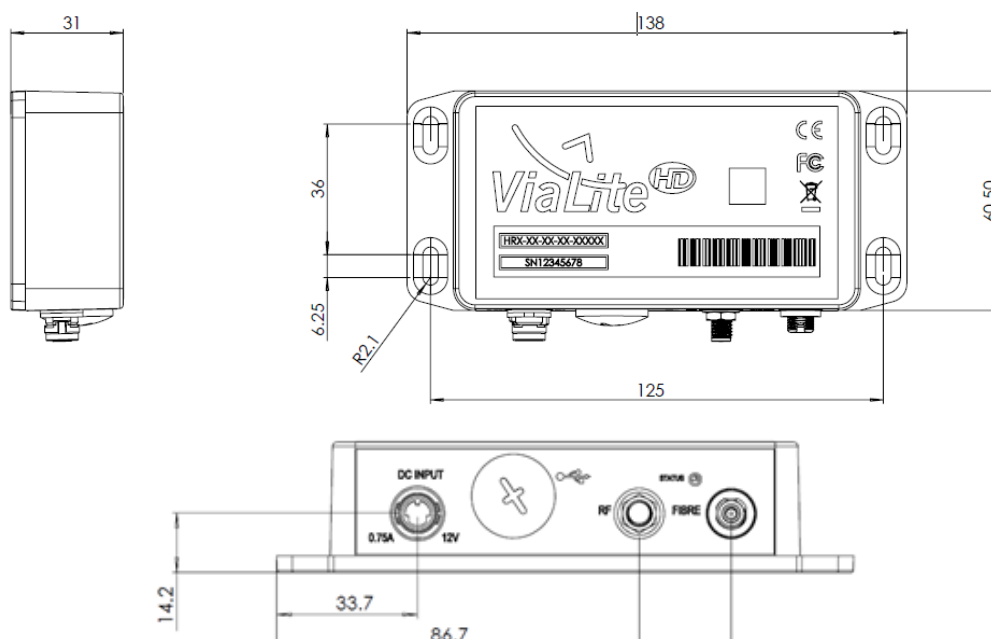
- Outdoor IP55 rated
- 10 MHz to 6 GHz Link (7 GHz at 4 dB pt)
- Multi-purpose link
- Single Tx or Rx
- Connectivity for module user settings (through USB-C)
- Supports link distances up to 50 km
- Supports 5 and 12 V LNA feed
- -20 to + 60 °C operating temp.
- 5-year warranty



The Black OEM Module is an outdoor rated RF over fiber link which covers a wide frequency range from 10 MHz to 6 GHz. With this range in frequency, the OEM unit can be used in a wide variety of applications, such as Broadcast, Satcom, GPS/Timing and Mil-Aero. With an IP55 rating, the module is suitable for installations in harsh environmental conditions, without needing an outdoor enclosure.

The module can be easily installed as a standalone product for temporary or permanent applications. An external power supply provides the 12V DC input. The module can be configured through a USB-C port and has several software configurable parameters that can be changed on site.

### Mechanical dimensions (mm)



## Technical Specification

	Units	Note	Standard Gain Link HRT-Y1-6Y-04-C1550 HRR-Y1-6Y-05	High Gain Link HRT-Y1-6Y-01-C1550 HRR-Y1-6Y-05	High Output Link HRT-Y1-6Y-04-C1550 HRR-Y1-6Y-03
Frequency (Typ)	MHz	a, b	20 to 6000 <sup>a</sup> 10 to 7000 <sup>b</sup>		
Input P1dB (Typ @ 1500MHz)	dBm (Typ)		0	-15	0
IP3 (Typ @ 1500MHz)	dBm (Typ)		10	-5	10
Band Flatness (Typ 20 MHz to 6000 MHz)	dB		+/-1		
Gain Adjustment from Nominal	dB		+5 to -9.5 0.5 dB attenuation steps		
Nominal Link Gain	dB (Typ)		+5 Tx -10, Rx +15 P/N Tx = 04, P/N Rx = 05	+20 Tx +5, Rx +15 P/N Tx = 01, Rx = 05	+10 Tx -10, Rx +20 P/N Tx = 04, Rx = 03
Impedance	Ohms (Ω)		50		
Noise Figure (typ. @ 1500MHz)	dB		20	10	20
Isolation	dB (Typ)		>60		
VSWR	(Typ)		1.5:1		
Gain Stability over Temperature	dB (Typ)	c	+/-3		
SFDR	dB / Hz <sup>2/3</sup> (Typ)	d, e	109 <sup>d</sup> 104 <sup>e</sup>		
Additional control features			Software controllable parameters via USB-C, p/n 55058 Antenna Fault Detection (AFD), senses LNA current feed		
Maximum RF input power without damage	dBm (Min)		+20		
Operating temperature			-20 °C to +60 °C		
Humidity	RH		0-95% non-condensing		
Cooling			Convection		
Power consumption	W (Typ)		Transmitter: 1.8 Receiver: 1.2		
DC Input voltage			8-15 V, 12 V nominal (>18 V damage)		
Power supply compatibility			Black OEM p/n 73955 OEM power connector, 2 m cable, bare wire end Black OEM p/n HPS-CY IP55 rated enclosure with +12 VDC PSU, requires AC main connection		

<sup>a</sup> 1dB point

<sup>b</sup> 4dB point

<sup>c</sup> measured across a temperature window of +40 °C

<sup>d</sup> typ @ 1500 MHz

<sup>e</sup> Typ @ 5 GHz