

## ViaLiteHD® – Blue2 Link

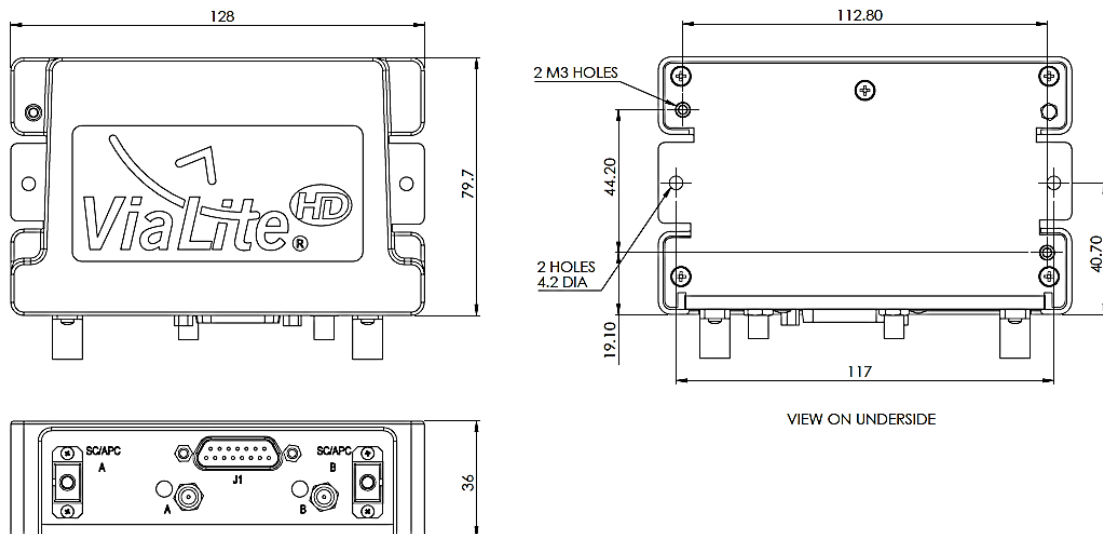
### Blue2 RF over Fiber Link

- Dual Tx, Rx or Transceiver
- External PSU
- Dustproof enclosure
- Internal WDM option
- 128 x 80 x 36 mm
- RF and Serial Digital options available
- Supports up to 50 km
- 5-year warranty

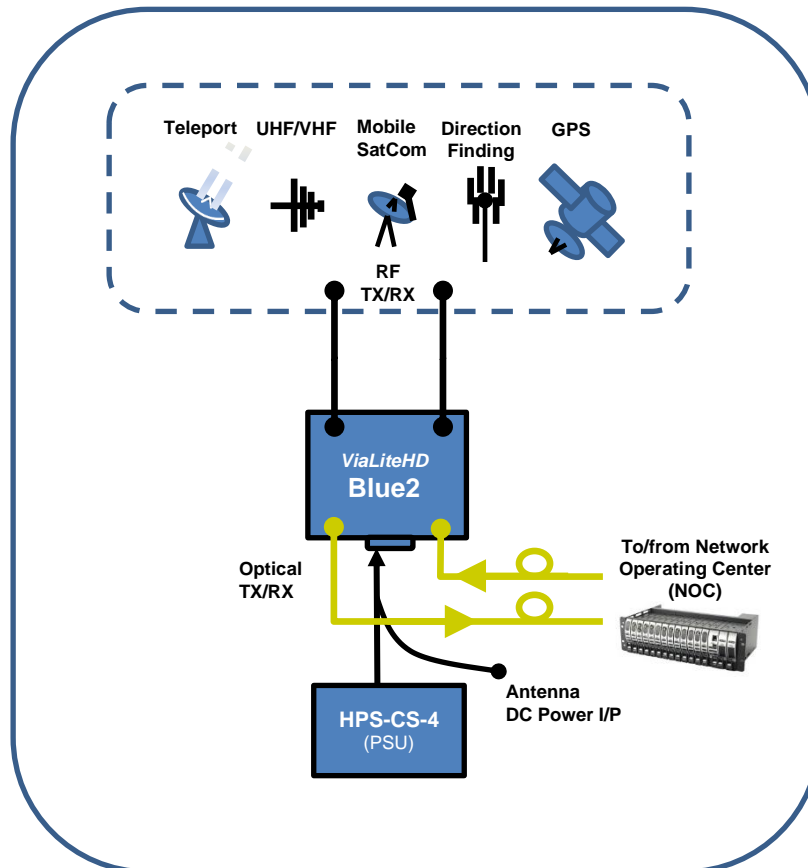


The **Blue2 OEM Link** is a small, dustproof RF over fiber module available in **ViaLiteHD** RF bands up to 4.2 GHz and can be supplied in the dual transmitter (Tx), dual receiver (Rx) or transceiver formats. The module is available with two optical inputs/outputs or single optical input/output if the integral WDM module option is selected. The 15-way D-type connector provides a connection for serial data transmission (RS232, RS485 & TTL), Tx or Rx alarms, I2C setup using the **ViaLiteHD** Programming Kit (HRx-HD-DEV103) via Y-cable 73940, and the external power supply (optional HPS-CS-4).

### Mechanical Dimensions (mm)



### Deployment Example



### Technical Specification

	Blue2 Link
Dimensions	128 x 80 x 36 mm
Weight	200 g typical
Operating temperature	-20 °C to +60 °C
Humidity	0-95% non-condensing
Cooling	Convection
Power consumption	Transceiver: 3.2 W Dual transmitter: 3.8 W Dual receiver: 2.6 W
DC Input voltage	11 to 13 V, 12 V nominal
Connector	15-way male D-type with screw-lock termination on backplane (Power, Serial Data, Alarms & I2C programming)
Power supply compatibility	HPS-CS-4 or external 12 VDC source
RF module Types	2x Transmitter, 2x Receiver or 1x Transmitter & 1x Receiver (Transceiver), or with a single Transmitter or Receiver and a serial digital TX/RX link  Various <b>ViaLiteHD</b> RF bands up to 4.2 GHz